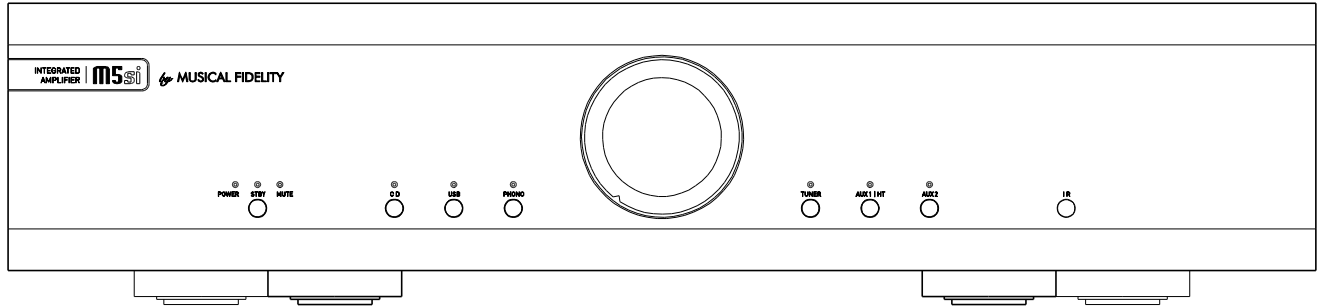


INTEGRATED  
AMPLIFIER

| **m5si**



## Instructions for use

*Thank you for purchasing the Musical Fidelity M5si integrated amplifier.*

*The M5si uses our tried and tested ultra low distortion power amplifier circuitry, which has enough current reserve to drive even the most demanding speakers with ease. A very low noise and distortion, high-quality preamplifier completes the integrated amplifier giving a perfect sound from a compact looking full size unit.*

*The M5si features a low noise phono stage to allow direct connection of a turntable for vinyl listening.*

*An asynchronous USB input has also been included which will connect to computer based home audio and allow full quality playback of digital media, up to and including 24 bits, 96kHz sampling rate.*

*The M5si will aesthetically match with any future M5s as well as current M3s and M6s series products. Such combinations will yield one of the best high-fidelity systems available at any price.*

*Used properly and carefully, it should give many years of outstanding musical reproduction.*

*Dust regularly with a soft duster or soft brush, but be careful when using cleaning or polishing agents - they may harm the surface finish.*

*If there are any questions about the audio system, please consult the dealer who is there to help and advise.*

INTEGRATED  
AMPLIFIER

**m5si**

Section		Page
<b>Safety Information</b>	– Mains plug (UK only), modification warning	4
<b>General advice</b>	– Installation precautions	5
<b>Installation</b>	– Introduction, cleaning, installation, power connections, audio connections	6
<b>Facilities and connections</b>	– Illustrations, main unit front & rear panels	7
<b>Remote control handset</b>	– Operation and illustration	8
<b>Operation</b>	– Starting – Volume – Mute – CD – USB – PHONO – TUNER – AUX1/HT – AUX2	9
<b>USB</b>	– Computer setting for USB – PC and MAC users – For best results with USB	10
<b>Problems?</b>	– Basic fault finding	11
<b>Specifications</b>	– Product specifications	12
<b>Manual history</b>		13
<b>Item disposal information</b>		

**IMPORTANT! (U.K. only)**

This unit is supplied in the U.K. with mains lead fitted with a moulded 13 amp plug. If, for any reason, it is necessary to remove the plug, please remove the fuse holder and dispose of the plug safely, out of reach of children.

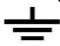
**It must not be plugged into a mains outlet.**

The wires in the mains lead supplied with this appliance are coloured in accordance with the following code:

**Green and yellow .....Earth**  
**Blue..... Neutral**  
**Brown .....Live**

**WARNING – This appliance MUST be earthed**

As the colours of the wires of the mains lead of this appliance may not correspond with the coloured markings identifying the terminals in the plug, proceed as follows:

- The wire which is coloured green-and-yellow must be connected to the terminal in the plug which is marked with the letter E or coloured green or green-and-yellow, or by the earth symbol: 
- The wire which is coloured brown must be connected to the terminal which is marked with the letter L or coloured red.
- The wire which is coloured blue must be connected to the terminal which is marked with the letter N or coloured black.
- If connecting to a BS1363 plug, a 13 amp fuse must be used.

**WARNING:**

**ANY MODIFICATIONS TO THIS PRODUCT NOT EXPRESSLY APPROVED BY MUSICAL FIDELITY WHO IS THE PARTY RESPONSIBLE FOR STANDARDS COMPLIANCE COULD VOID THE USER'S AUTHORITY TO OPERATE THIS EQUIPMENT.**

## Installation, Precautions & User Information

This new M5si is designed and built to provide trouble-free performance, but as with all electronic devices it is necessary to observe a few precautions:

- Heed all warnings shown on the back of the product.
- Only connect the M5si to a mains outlet having the same voltage as marked at the back of the unit.
- Always ensure that when disconnecting and reconnecting your audio equipment the mains supply is switched off.
- Position the mains lead and signal interconnects where they are not likely to be walked on or trapped by items placed on them.
- Do not use near water, or place water-filled containers on the M5si, for example, a flower vase or potted plants. **If water does spill inside, immediately pull out the mains plug from the wall socket and inform your dealer, who should then check the unit before further use. Entry of liquid into the M5si is dangerous, and may cause electric shock or fire hazard.**
- Do not place the unit near direct heat sources such as radiators, direct sunlight or other equipment.
- Do not remove any covers or try to gain access to the inside. There are no internal adjustments or fuses you can replace yourself. Refer all service work to an authorised Musical Fidelity agent.  
**\* Note: Unauthorised opening of the equipment will invalidate any warranty claim.**
- Dust regularly with a soft cloth or soft brush but be careful when using cleaning or polishing agents - they may harm the surface finish.

The electronics in modern hi-fi equipment is complex and may, therefore, be adversely affected or damaged by lightning. For protection of the audio system during electrical storms, remove the mains plugs.

If after-sales service is required, to help the dealer identify the M5si please quote the serial number located on the rear panel of the unit.

## Introduction

Congratulations on the purchase of the new M5si integrated amplifier. Great attention has been paid to internal layout, isolating each circuit section to prevent possible interaction. The unit features a finely tuned and tweaked preamplifier, for smooth sound coupled with low noise and virtually no distortion.

The power amplifier consists of two top quality power amplifiers for the absolute best in separation and imaging. Generously rated, they are enough to drive even the most demanding loudspeakers with ease. Low distortion and very quiet they will deliver all music types exactly as the artist originally intended.

The resultant performance achieved by this unit is among the best in the world. It has excellent signal to noise ratio, low distortion, wide bandwidth and dynamic range, with extraordinary resolution and fine detail.

## Cleaning

Before cleaning the unit, switch off power at the mains switch and remove the mains plug from the wall socket. Clean the cabinet and remote control unit using a moist cloth. Using solvents, white spirit or thinners is not advised, as they could damage the surface finish.

## Installation

Position the M5si on a stable, horizontal surface where there is no risk of it being knocked, or subjected to vibration such as from loudspeakers.

### Important note:

**In normal operation, the unit dissipates a small quantity of power at all times, and it is important that it is adequately ventilated. The top and bottom are perforated to allow the smooth flow of heat through the unit. It is therefore not recommended that the unit is enclosed in a cabinet or placed where the ventilation holes are impeded as this could result in excessive heat build-up.**

**The M5si must be protected from humidity – if the unit is moved from a cold place to a warm room, leave the unit for an hour or so to allow sufficient time for the moisture to evaporate.**

## Power Connections

The M5si is supplied with a standard IEC mains cable which plugs into the IEC socket at the back of the unit (see page 7). When plugged in and mains supply is present the orange STDBY LED will light.

## Audio Connections

**RCA Inputs:** Connect all RCA single-ended sources to relevant analogue inputs (see page 7 for more information). Use good quality fully connected (signal and ground) coaxial phono cables for all RCA signal connections. Take particular care with PHONO input leads, ensure that they are very well shielded and kept away from mains and speaker leads.

### Phono/turntable earth connection



The green earthing post should only be connected when excessive hum is experienced. Connect the turntable earthing lead to this post if hum is noticed. If hum worsens when the earth post is thus connected, then disconnect immediately and investigate the cause elsewhere.

**Note: some systems may have more than one direct earth point(s) already involved. This could cause hum problems that may only become apparent on connecting this product. Thus the M5si may not be the root cause of hum detected in a system, even if it is the only device that appears to be making the hum apparent.**

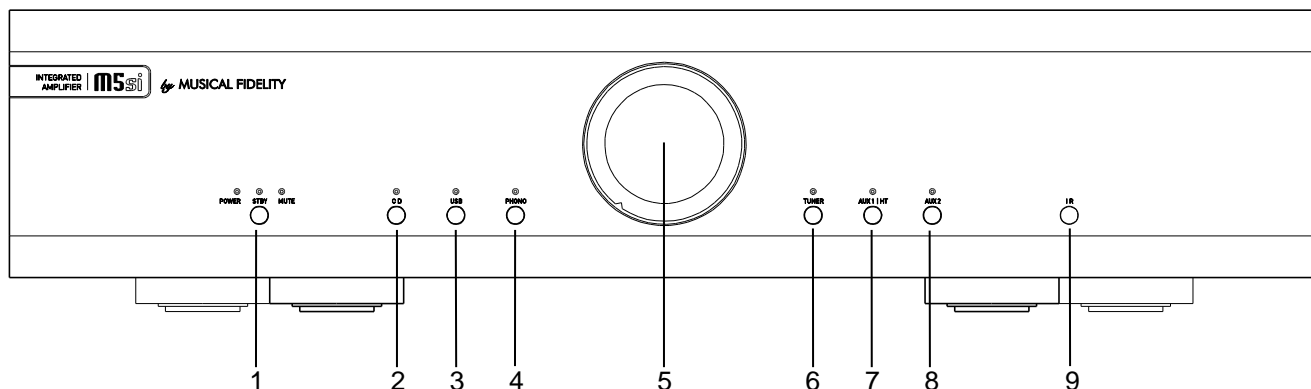
There is no harm done if *no* connection is made to this terminal, as it is not always needed anyway, for example, some turntables have their own earthing arrangement.

**USB inputs:** Connect USB “A” to “B” cable between USB input and computer (laptop, desktop, tablet or any other suitable USB audio compatible “host”).

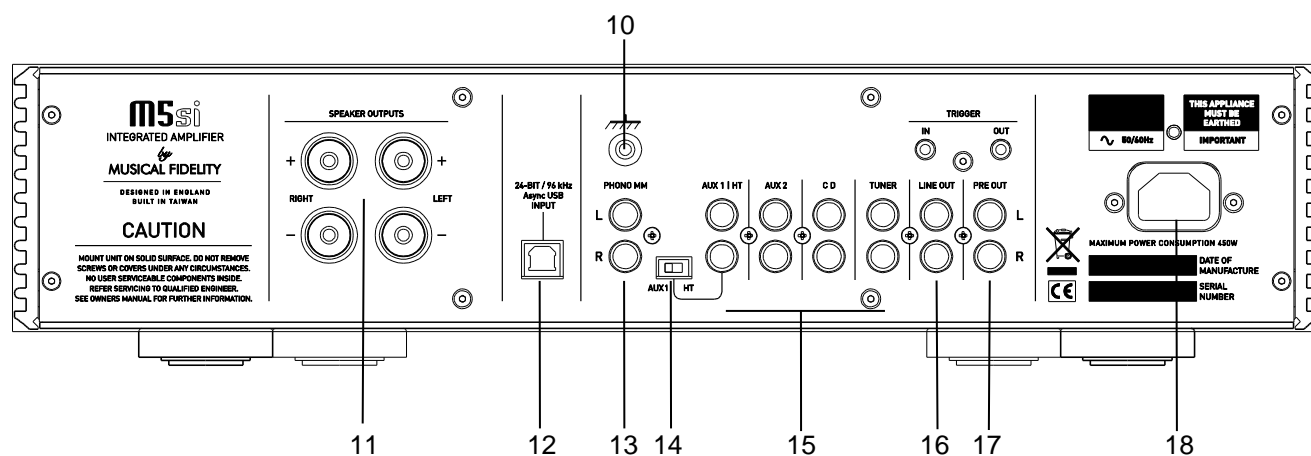
**Speaker Outputs:** Connect loudspeakers to the terminals on the back panel marked as **LEFT** and **RIGHT SPEAKER** outputs.

The **LINE** output allows loop through of analogue signals for example, to pass on to a recorder or monitor. It is also the ideal output to connect headphone amps into (headphone amplifier will require its own volume control to allow listening level adjustment). This output is the currently selected source but level is *not* changed by the front panel volume control.

The **PRE-OUT** output allows analogue signals controlled by the volume, to pass on to, for example, an external power amplifier. This is useful for bi-amping or active “subwoofer” connection where volume out needs to be controlled by the M5si front panel volume knob.



- |  |  |
|--|--|
| 1 <b>ON/OFF</b> Button                       | 6 <b>TUNER</b> input selector button and LED   |
| 2 <b>CD</b> input selector button and LED    | 7 <b>AUX1/HT</b> input selector button and LED |
| 3 <b>USB</b> input selector button and LED   | 8 <b>AUX2</b> input selector button and LED    |
| 4 <b>PHONO</b> input selector button and LED | 9 <b>IR RECEIVER</b> lens                      |
| 5 <b>VOLUME</b> control                      |  |



- |   |  |
|---|--|
| 10 <b>4MM BANANA POST</b> for turntable grounding           | 15 <b>AUX1/HT, AUX2 CD, TUNER</b> line level input RCA sockets |
| 11 <b>LOUDSPEAKER OUTPUTS</b> right and left                | 16 <b>LINE OUT</b> (fixed) output RCA sockets                  |
| 12 <b>USB</b> (type 'B') input socket                       | 17 <b>PRE OUT</b> (volume controlled) output RCA sockets       |
| 13 <b>PHONO MM</b> turntable cartridge input RCA sockets    | 18 <b>IEC MAINS INPUT</b>                                      |
| 14 <b>HT/AUX</b> function selector for <b>AUX1/HT</b> input |  |

The universal remote control shown below enables functions from this and related units to be operated from a convenient distance.

Equivalent buttons on the remote control have the same functions as those on the front panel of the unit. Other functions are only available by remote control.

As the handset uses an invisible infra-red light beam, the front edge must be pointed directly towards the receiver window at the front of the player, without visual obstruction between them.

If the range of the remote control greatly decreases, replace the batteries with new ones. Do not mix old and new batteries – two are required, size AAA, LR03 or SUM-4.

**Please dispose of used batteries in accordance to local regulations.**

### CD player section (Grey buttons)

**REPEAT** – repeats whole disk or selected tracks

**INTRO** – plays first 10 seconds of each track

**A/B** – sets repeat start/end to repeat section of track

**PROGRAM** – programs selection and order of tracks

**CHECK** – check pre-programmed tracks

▶▶ – fast forward through track

**TIME** – displays track time/time remaining

◀◀ – previous track

||▶ – pause/play button

**DISPLAY** – dims display

◀◀ – fast backwards through track

### Amplifier section (Blue buttons)

**VOLUME ▼** – reduces amplifier volume

**CD** – selects amplifier CD input

**USB** – selects amplifier USB input

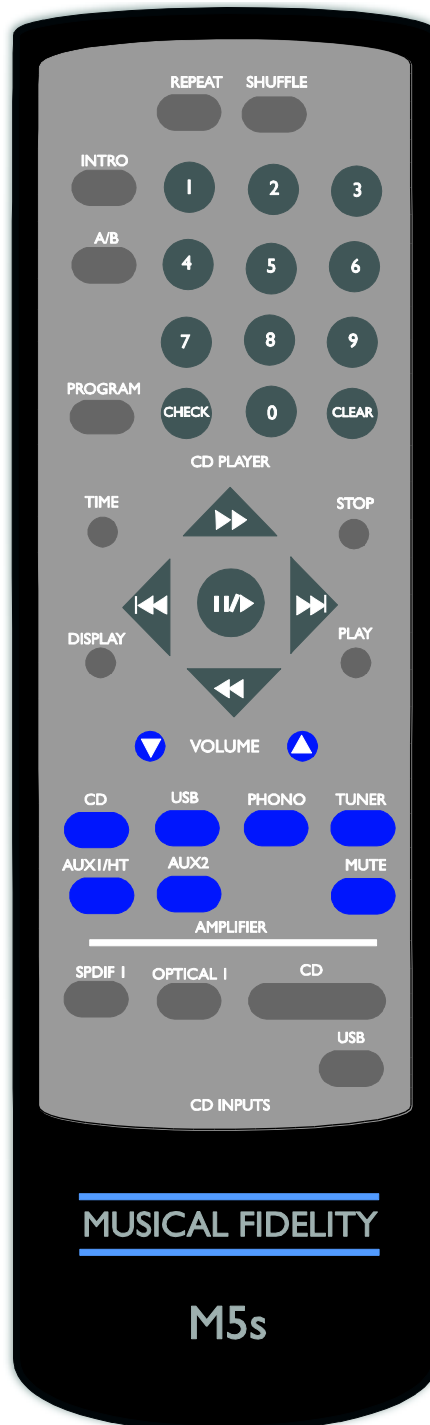
**AUX1/HT** – selects amplifier AUX1/HT input

**AUX2** – selects amplifier input

### CD inputs section (Grey buttons)

**SPDIF** – Selects CD player SPDIF input

**OPTICAL 1** – Selects CD player OPTICAL input



**SHUFFLE** – plays back tracks in random order

**0-9 Buttons** – Used to select track numbers

**CLEAR** – clears selected pre programmed track

**STOP** – Stop playing/Eject CD

▶▶| – next track

**PLAY** – start CD playback

**VOLUME ▲** – increases amplifier volume

**PHONO** – selects amplifier PHONO input

**TUNER** – selects amplifier TUNER input

**MUTE** – mutes speaker outputs (until pressed again).

**CD** – Sets CD player in normal CD player mode

**USB** – Selects CD player USB input



## Starting

Once all connections are made, turn volume to minimum, and switch on the unit, using the **POWER** button front of the unit. The **MUTE** LED will light. Speaker outputs are muted for about 6 seconds, so no sound will be heard from the speakers. Once the 6 seconds is up the **MUTE** LED goes out, indicating unit is settled, and ready for use.

## Volume

The volume should be adjusted for normal listening levels. This is done by turning the volume up/down knob on the front panel.

Adjusting the volume can also be achieved by pressing the volume up/down buttons on the remote control handset (see page 8).

### Mute (Remote Control only)

The sound from the speakers may be muted by use of the **MUTE** button on the remote. Press once, and **MUTE** LED will light indicating muted state. No sound will be heard from the speakers.

To return to listening; simply press the **MUTE** button again so **MUTE** LED is no longer lit.

## CD

To use the **CD** input, connect CD player outputs to the **CD** input RCA sockets (see page 7).

Select **CD** input by pressing the **CD** button so **CD** LED lights.

Pressing the corresponding button on the remote handset has the same effect (see page 8).

## USB

To use the **USB** input, connect computer USB port to the **USB** input type "B" socket (see page 7). Select **USB** input by pressing the **USB** button so **USB** LED lights.

Pressing the corresponding button on the remote handset has the same effect (see page 8).

See P.10 (USB) for further information.

## PHONO

To use the **PHONO** input, connect turntable cartridge outputs to the **PHONO** input RCA sockets (see page 7).

Select **PHONO** input by pressing the **PHONO** button so **PHONO** LED lights.

Pressing the corresponding button on the remote handset has the same effect (see page 8).

## TUNER

To use the tuner input, connect tuner outputs to the **TUNER** input RCA sockets (see page 7).

Select **TUNER** input by pressing the **TUNER** button so **TUNER** LED lights.

Pressing the corresponding button on the remote handset has the same effect (see page 8).

## AUX1/HT

To use the **AUX1/HT** input as a standard input, move the **AUX/HT** switch on the back panel to the **AUX** position. Connect source outputs to the **AUX1** input RCA sockets (see page 7).

Select **AUX1/HT** input by pressing the **AUX1/HT** button so **AUX1/HT** LED lights.

Pressing the corresponding button on the remote handset has the same effect (see page 8).

To use the **AUX1/HT** input as a Home Theatre input, move the **AUX/HT** switch to the **HT** position. This input is now unaffected by the volume control, allowing volume control on an external Home Theatre processor to be used directly. Connect home theatre or other source outputs to the **AUX1/HT** input RCA sockets (see page 7).

Select **AUX1/HT** input by pressing the **AUX1/HT** button on front panel or remote, so **AUX1/HT** LED lights.

***IMPORTANT:** Take great care when using the input in HT mode. Ensure that the volume control is turned right down on the **HT processor** when first setting up. The HT mode is designed for sources which require their own volume control to be used. Connecting sources in HT mode with no volume control could result in damage to hearing and/or speakers due to uncontrolled loud sounds.*

## AUX2

To use the **AUX2** input, connect source outputs to the **AUX2** input RCA sockets (see page 7).

Select **AUX2** input by pressing the **AUX2** button so **AUX2** LED lights.

Pressing the corresponding button on the remote handset has the same effect (see page 8).

**Computer settings for USB**

A good quality USB A to B cable is required to connect the unit to the computer.

Plug the B (square) end into the socket in the back of the unit, and the A (rectangle) end into a free USB socket on the computer.

The computer should now detect the new hardware and install a generic driver automatically.

In all cases the driver is supplied with the operating system and no other driver is necessary.

Please note the driver supplied with the operating system only and Musical Fidelity do not have, or issue, any updates. For latest releases please ensure the operating system is kept up-to-date.

CD, MP3, WAV, AAC, FLAC, and all other audio file types played on any software should now play through the unit. This device has been designed to work with PC Windows 98, ME, 2000, XP, Vista and 7, as well as Apple Macintosh OS X, Snow Leopard and Linux machines.

**PC users-**

Check the computer has picked up the device and is currently using it by clicking: (most Windows versions)

- Start
- Settings
- Control panel
- Sounds and Multimedia
- Audio

Check that "M5si Integrated 24/96" appears under PREFERRED AUDIO DEVICE tab

Use the mixer to select the source or adjust levels if required.

**Mac users-**

Check the computer has picked up the device and is currently using it by clicking: (MAC OS X)

- System preferences
- Hardware
- Sound

Check that "M5si Integrated 24/96" is selected under the OUTPUT tab.

If the computer's warning sounds/chimes are to be played through the unit, make sure it is selected under the SOUND EFFECTS tab too.

Note: USB may also be selected as an output in some individual programs.

**For best results from USB input**

Make sure volume knob on amplifier is turned to usual/comfortable listening position (e.g. with pointer at 8 to 9 o'clock position)\*.

Select USB input on front panel of amplifier.

Play a piece of recorded music from the computer on preferred media player e.g. Windows Media Player or iTunes.

Check mixer and/or computer volume slider settings are set to a suitable level. Normally "full" or "maximum" setting of the slider gives the best results. Lower settings can detract from overall signal resolution due to computer's internal media player/ mixer attenuation action.

\* This volume position will vary considerably from setup to setup, due to varying speaker sensitivities and personal listening habits.

*Please note: This device is a high speed serial data processor, and by its nature, requires a very high volume of USB band width. It will benefit greatly from being the only device connected on its USB 'bus'. Sharing the same bus with other devices may cause unwanted artifacts such as dropouts or temporary loss of signal. This especially includes the use of the unit on a USB hub/splitter alongside other USB components*

Basic problem-solving with an amplifier is similar to troubleshooting other electrical or electronic equipment. Always check the most obvious possible causes first, such as the following examples:

Problem	Probable Cause	Remedy
No power when <b>POWER</b> button is pressed.	Mains power plug is not fully inserted into rear socket.	Plug in securely.
No sound	Mute function is still active. Wrong connections between input sources and the unit Speakers not connected, or incorrectly wired	Press the <b>MUTE</b> button on the remote control to cancel. Check audio input lead connections. Check speaker cables.
Sound cut	Loose connection Output overload or short circuit	Check speaker and input connections. Switch unit off. Check speaker connections for shorting strands or wires. When all has been double-checked reduce volume and switch unit back on. N.B. Take great care when bi-wiring or bi-amping that speaker bass and treble linking straps are removed; see speaker manual for more information.
Sound is not precise, lacking in bass and stereo image.	Speakers are connected out of phase, i.e., connections to one speaker (+ and -) are reversed.	Ensure speakers are connected with same polarity at amplifier <b>and</b> speaker ends.
Hum.	Audio connector plug not fully pushed in Cable Fault Unsuitable cable (e.g. cable grounds not connected)	Insert plug securely. Check cable is connected at both ends. N.B. Some esoteric cables have internal wiring intentionally disconnected/modified. For best results on all inputs analogue AND digital, please use good quality screened coax; signal <b>and</b> screens both separately connected at both ends.
No audio output, or too low level output.	Incorrect or missing connections	Check connections and make sure they are secure.
Turntable/phono hum excessive	Turntable not earthed or needs earthing Turntable already earthed and earthing further creates hum loop in system Earth loops already in system Audio connector plug not fully pushed in Cable fault Unsuitable Cable (e.g. cable grounds not connected)	Check turntable earthing lead is connected to earthing post on M5si. Disconnect earthing lead from earthing post. Investigate for earth loops elsewhere in system. Insert plug securely Check cable is connected at both ends. N.B. some esoteric cables have internal wiring intentionally disconnected/modified. For best results on all inputs AND outputs, please use good quality screened coax; <i>fully connected</i> signal-to signal, screen-to-screen.
No sound - USB	USB device not working USB cable unplugged or not securely fitted Mixer volume turned down	Check USB input lead is securely connected. See "USB" P.10 to check computer has recognised and is using "M5si Integrated 24/96" for playback. Check volume control on computer is turned up. See note P.10 about "For best results from USB input"
Remote control does not work.	Amplifier's <b>POWER</b> switch is set to off. One or more batteries fitted the wrong way round. Batteries are flat. Remote control is not pointed directly towards the front panel of the amplifier. Interference from another source.	Set switch to on. Insert batteries correctly. Change batteries for a new set. Ensure there is no obstruction between the remote control and amplifier front. Lighting such as fluorescent, incandescent, or even sunlight contains large amounts of infra red radiation. Ensure such sources are not shining directly on the infra red window as this could swamp the signal from the remote control. Also check the system and any other nearby remotes for stuck buttons.
Remote control range has greatly reduced	Batteries are running out	Change batteries for a new set.

If none of these actions affect a cure, please contact the dealer, or an authorised Musical Fidelity service agent. Remember; never open the case of the M5si, as this will invalidate the guarantee.

**Output**

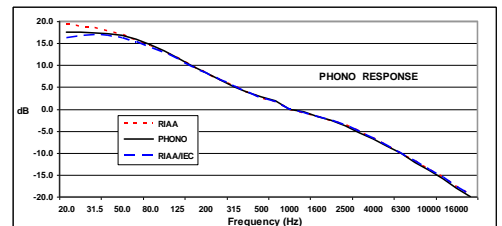
Power 150 Watts per channel into 8 Ohms  
 Voltage 35 Volts RMS, 20Hz to 20 kHz; onset of clipping  
 99 Volts peak to peak  
 Current 62 Amps peak to peak  
 Damping factor 36  
 Output devices 2 pairs per channel

**Line input**

THD+N < 0.010 % typical, 20Hz to 20 kHz  
 Signal / noise ratio > 100dB 'A'-weighted  
 Input impedance 40 k Ohms  
 Frequency response + 0, -0.1dB, 10Hz to 20 kHz

**Phono input**

Sensitivity (nominal) 3mV (suitable for cartridges giving 1.5mV or more including high output MC types)  
 Signal / noise ratio > 70dB 'A'-weighted  
 Input impedance 50k Ohms  
 Frequency response RIAA/IEC within ±0.5dB, 20Hz-20 kHz



**USB input**

USB Asynchronous, sample rate up to and inc. 24 bit, 96 kHz USB audio stream.

**Connections**

USB input Type "B" socket up to and inc. 24 bit 96kHz USB audio stream  
 Phono inputs 1 pair Phono MM inputs  
 Phono grounding post 4mm banana post to chassis earth  
 Line level inputs 4 pairs line level RCA connectors  
 Line level outputs 1 pair line level RCA connectors, constant level LINE outputs  
 1 pair line level RCA connectors, PREAMP outputs for e.g. biamping  
 Speaker outputs 2 pairs 4mm banana plug/binding posts

**Power requirement**

Mains voltages 115/230VAC 50/60Hz (factory pre-set)  
 100VAC 50/60Hz (alternative)  
 Consumption <0.5W in standby mode  
 450 Watts maximum

**Weight**

Unit only, unboxed 14.60 kg (32 lbs)  
 in shipping carton 18.80 kg (41½ lbs)

**Dimensions**

Wide 440 mm (17½")  
 High, including feet 100 mm (4")  
 Deep (front to back) including terminals 405 mm (16")

**Standard accessories**

IEC type mains lead 10-Amp type  
 Remote control M5s series  
 Batteries LR03 or AAA, manganese alkaline type 2 off

**Musical Fidelity reserves the right to make improvements which may result in specification or feature changes without notice.**



RELEASE	DATE	CHANGES
Issue 1	10-09-15	First Issue

**DISPOSAL**

The crossed out wheeled bin label that appears on the back panel of the product indicates that the product must not be disposed of as normal household waste. To prevent possible harm to the environment please separate the product from other waste to ensure that it can be recycled in an environmentally safe manner. Please contact local government office or retailer for available collection facilities.

**DISPOSITION**

La poubelle sur roulettes barrées X, qui apparaît en logo sur le panneau arrière du produit, indique que celui-ci ne doit pas être traité comme un déchet domestique commun. Afin de protéger l'environnement, ce produit électronique devra être géré séparément et donc recyclé selon les nouvelles normes Européennes Rohs concernant les déchets d'appareils électroniques. Prière de contacter les services concernés gouvernementaux ou votre point de vente pour l'élimination et l'enlèvement de déchets électroniques équipés de composants électroniques.

**DISPOSAL**

La etiqueta cruzada hacia fuera del compartimiento que aparece en el panel trasero del producto indica que el producto no se debe reciclarse como basura normal de la casa. Para prevenir daños posible al ambiente separe por favor el producto de otra basura para asegurarse de que puede ser reciclada de una manera ambientalmente segura. Entre en contacto por favor a su oficina gubernamental local o a su minorista para las instalaciones disponibles de la colección.

**RIFIUTI**

L'etichetta del cassonetto barrato riportato sul retro dell'apparecchio indica che il prodotto non deve essere smaltito tramite la procedura normale di smaltimento dei rifiuti domestici. Per evitare eventuali danni all'ambiente, separare questo prodotto da altri rifiuti domestici in modo che possa venire riciclato in base alle procedure di rispetto ambientale. Per maggiori dettagli sulle aree di raccolta disponibili, contattate l'ufficio governativo locale od il rivenditore del prodotto.

**FACHGERECHTE ENTSORGUNG:**

Das auf der Geräterückseite angebrachte Label deutet darauf hin, dass das Produkt nicht mit konventionellem Hauskehricht entsorgt werden darf. Um Schäden und Verschmutzungen an Umwelt und Mensch zu vermeiden, muss das Produkt fachgerecht entsorgt und von anderem Abfall getrennt werden. Wenden Sie sich bei Fragen hierzu an Ihren Fachhändler oder an eine öffentliche Informationsstelle.

**AFVAL**

Het label op de achterzijde van dit apparaat, een afvalbak op wielen met een kruis doorgehaald, geeft aan dat dit apparaat niet samen met gewoon huishoudafval mag worden weggegooid. Om mogelijke schade aan onze leefomgeving te voorkomen dient dit apparaat, gescheiden van gewoon huishoudelijk afval, te worden afgevoerd zodat het op een milieuvriendelijke manier kan worden gerecycled. Neem voor beschikbare inzamelplaatsen contact op met uw gemeentelijke reinigingsdienst of met uw elektronica leverancier.

**HÄVITTÄMINEN**

Yliüksattua jäteastiaa kuvaava tarra tuotteen takalevyssä kertoo, että tuotetta ei saa käsitellä normaalina talousjätteenä. Ympäristön suojelemiseksi on tuote pidettävä erillään muusta jätteestä ja se on kierrätettävä ekologisesti kestävällä tavalla. Ota yhteyttä laitteen myyjään tai Pirkanmaan Ympäristökeskukseen lähimmän kierrätyskeskuksen löytämiseksi.

**AFSKAFNING**

Logoet med en skraldespand med kryds over på bagsiden af apparatet indikerer at dette produkt ikke må kasseres som normal husholdningsaffald. For at forebygge mulig skade på miljøet, bedes De separere dette produkt fra andet affald, og sikre at det bliver genbrugt på en miljørigtig måde. Kontakt venligst de lokale myndigheder eller din forhandler for oplysning om nærmeste tilgængelige opsamlingssted for elektronikaffald.

**ΔΙΑΔΙΚΑΣΙΑ ΑΠΟΡΡΙΨΗΣ**

ΤΟ ΣΗΜΑ ΜΕ ΤΟΝ ΔΙΑΓΕΓΡΑΜΜΕΝΟ ΤΡΟΧΗΛΑΤΟ ΚΑΔΟ ΑΠΟΡΡΙΜΑΤΩΝ ΣΤΗΝ ΠΙΣΩ ΟΨΗ ΤΟΥ ΜΗΧΑΝΗΜΑΤΟΣ

ΔΗΛΩΝΕΙ ΟΤΙ ΤΟ ΠΡΟΙΟΝ ΑΥΤΟ ΔΕΝ ΠΡΕΠΕΙ ΝΑ ΔΙΑΧΕΙΡΙΣΘΕΙ ΣΑΝ ΣΥΝΗΘΙΣΜΕΝΟ ΟΙΚΙΑΚΟ ΑΠΟΒΛΗΤΟ.

ΠΡΟΣ ΑΠΟΦΥΓΗ ΕΝΔΕΧΟΜΕΝΗΣ ΕΠΙΒΑΡΥΝΣΗΣ ΤΟΥ ΠΕΡΙΒΑΛΛΟΝΤΟΣ, ΞΕΧΩΡΙΣΤΕ ΤΟ ΠΡΟΙΟΝ ΑΠΟ ΤΑ ΑΛΛΑ ΑΠΟΡΡΙΜΑΤΑ ΩΣΤΕ ΝΑ ΕΞΑΣΦΑΛΙΣΘΕΙ Η ΑΝΑΚΥΚΛΩΣΗ ΤΟΥ ΜΕ ΤΟΝ ΠΡΕΠΟΝΤΑ ΤΡΟΠΟ.

ΠΑΡΑΚΑΛΟΥΜΕ ΝΑ ΕΠΙΚΟΙΝΩΝΗΣΕΤΕ ΜΕ ΤΗΝ ΤΟΠΙΚΗ ΥΠΗΡΕΣΙΑ ΑΝΑΚΥΚΛΩΣΗΣ Η ΜΕ ΤΟ ΚΑΤΑΣΤΗΜΑ ΑΓΟΡΑΣ ΓΙΑ ΠΕΡΙΣΣΟΤΕΡΕΣ ΛΕΠΤΟΜΕΡΕΙΕΣ.