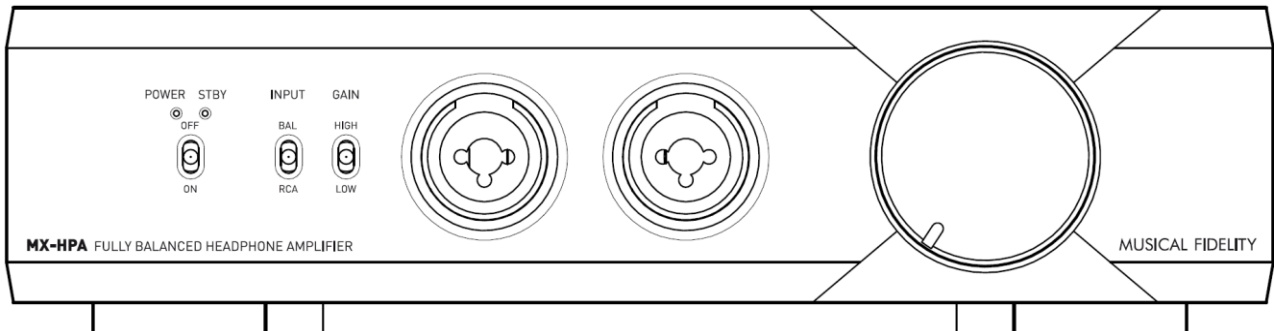


MX-HPA Fully Balanced Headphone Amplifier



The ultimate in balanced and single ended headphone listening.

The MX HPA is a very high performance fully balanced Class "A" headphone amplifier in a beautifully designed and executed casework.

The unit features two inputs, balanced and single ended. These are separate and an input select switch allows choice between separate balanced and single-ended sources. These inputs accept normal line-level signals of 300mV nominal (suitable for 30mV->3V) from a wide range of equipment.

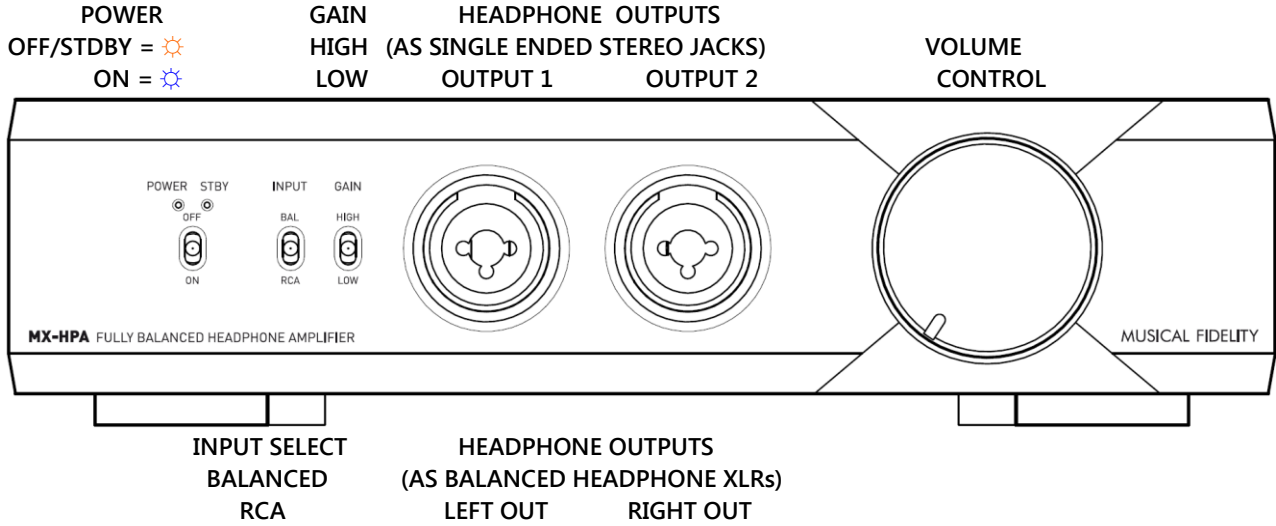
Gain switching is provided to allow boost for higher impedance headphones, so the unit is compatible with all dynamic headphones regardless of impedance. It is recommended to use the LOW setting for headphones of 200 ohms or less; the HIGH setting for headphones over 200 ohms or particularly insensitive headphones.

The front panel XLR/JACK sockets are dual purpose; it is possible to use either one or two pairs of standard 6.25mm ¼" stereo Jack- terminated headphones; *or a single* pair of headphones, terminated in two three-pin male XLR plugs.

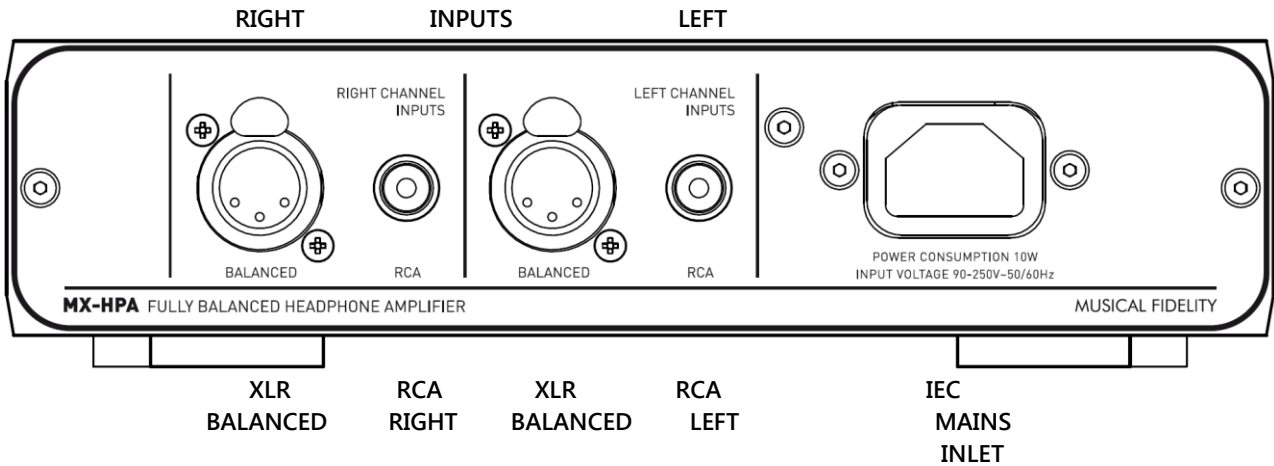
The necessary single ended/ balanced mode switching is carried out automatically on connection of the headphone(s).

MX-HPA Fully Balanced Headphone Amplifier

FRONT VIEW

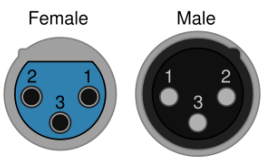


REAR VIEW



XLR SOCKET PINOUTS

XLR Balanced input and output lead connections:



(for reference only, no XLR signal leads supplied)

Pin:	Functions: (line input/output)	Functions: (headphone outputs)
1	Ground (cable shielding)	Ground (not necessarily used)
2	Normal polarity ("hot" or "+")	Transducer "+"
3	Inverted polarity ("cold" or "-")	Transducer "-"

MX-HPA Fully Balanced Headphone Amplifier

Output

Power	1.8 Watts per channel into 8 Ohms (27dBW)
Maximum output voltage	19 Volts RMS, 20Hz to 20 kHz; onset of clipping (54 Volts peak-to-peak) balanced.

Line input

THD+N	<0.005% typical, 20Hz to 20 kHz
Signal / noise ratio	>120dB 'A'-weighted
Input impedance	50k Ohms
Frequency response	+0, -0.1dB, 10Hz to 20 kHz
Gain, LO position (volume max)	18db (8x)
Gain, HI position (volume max)	24dB (15x)

Connections

Line level inputs	1 pair line level XLR (balanced) connectors 1 pairs line level RCA connectors
Headphone outputs	1 pair 3-pin XLR/¼" stereo Jack combined sockets

Power requirement

Mains voltages	90-250VAC 50-60Hz universal worldwide supply		
Consumption	<0.25 Watts 15 Watts	standby maximum	(Orange LED lit) (Blue LED lit, full power output)

Weight

Unit only, unboxed	2.2 kg	(5 lbs)
In shipping carton	3.7 kg	(8¼ lbs)

Dimensions

Width	220 mm	(8⅔")
Height (including feet)	53 mm	(2")
Depth (front to back) inc. terminals	240 mm	(9½")

Standard accessories

IEC type mains lead (10-Amp type)

Musical Fidelity reserves the right to make improvements which may result in specification or feature changes without notice. E+OE.



MX-HPA Fully Balanced Headphone Amplifier



DISPOSAL

The crossed out wheeled bin label that appears on the back panel of the product indicates that the product must not be disposed of as normal household waste. To prevent possible harm to the environment please separate the product from other waste to ensure that it can be recycled in an environmentally safe manner. Please contact local government office or retailer for available collection facilities.



DISPOSITION

La poubelle sur roulettes barrées X, qui apparaît en logo sur le panneau arrière du produit, indique que celui-ci ne doit pas être traité comme un déchet domestique commun. Afin de protéger l'environnement, ce produit électronique devra être géré séparément et donc recyclé selon les nouvelles normes Européennes Rohs concernant les déchets d'appareils électroniques. Prière de contacter les services concernés gouvernementaux ou votre point de vente pour l'élimination et l'enlèvement de déchets électroniques équipés de composants électroniques.



DISPOSAL

La etiqueta cruzada hacia fuera del compartimento que aparece en el panel trasero del producto indica que el producto no se debe reciclarse como basura normal de la casa. Para prevenir daños posible al ambiente separe por favor el producto de otras basura para asegurarse de que puede ser reciclada de una manera ambientalmente segura. Entre en contacto por favor a su oficina gubernamental local o a su minorista para las instalaciones disponibles de la colección.



RIFIUTI

L'etichetta del cassonetto barrato riportato sul retro dell'apparecchio indica che il prodotto non deve essere smaltito tramite la procedura normale di smaltimento dei rifiuti domestici. Per evitare eventuali danni all'ambiente, separare questo prodotto da altri rifiuti domestici in modo che possa venire riciclato in base alle procedure di rispetto ambientale. Per maggiori dettagli sulle aree di raccolta disponibili, contattate l'ufficio govenativo locale od il rivenditore del prodotto.



FACHGERECHTE ENTSORGUNG:

Das auf der Geräterückseite angebrachte Label deutet darauf hin, dass das Produkt nicht mit konventionellem Hauskehricht entsorgt werden darf. Um Schäden und Verschmutzungen an Umwelt und Mensch zu vermeiden, muss das Produkt fachgerecht entsorgt und von anderem Abfall getrennt werden. Wenden Sie sich bei Fragen hierzu an Ihren Fachhändler oder an eine öffentliche Informationsstelle.



AFVAL

Het label op de achterzijde van dit apparaat, een afvalbak op wielen met een kruis doorgehaald, geeft aan dat dit apparaat niet samen met gewoon huishoudafval mag worden weggegooid. Om mogelijke schade aan onze leefomgeving te voorkomen dient dit apparaat, gescheiden van gewoon huishoudelijk afval, te worden afgevoerd zodat het op een milieuvriendelijke manier kan worden gerecycled. Neem voor beschikbare inzamelplaatsen contact op met uw gemeentelijke reinigingsdienst of met uw elektronica leverancier.



HÄVITTÄMINEN

Yliuksattua jäteastiaa kuvaava tarra tuotteen takalevyssä kertoo, että tuotetta ei saa käsitellä normaalina talousjätteenä. Ympäristön suojelemiseksi on tuote pidettävä erillään muusta jätteestä ja se on kierrätettävä ekologisesti kestäväällä tavalla. Ota yhteyttä laitteen myyjään tai Pirkanmaan Ympäristökeskukseen lähimmän kierrätyskeskuksen löytämiseksi.



AFSKAFNING

Logoet med en skraldespand med kryds over på bagsiden af apparatet indikerer at dette produkt ikke må kasseres som normal husholdningsaffald. For at forebygge mulig skade på miljøet, bedes De separere dette produkt fra andet affald, og sikre at det bliver genbrugt på en miljørigtig måde. Kontakt venligst de lokale myndigheder eller din forhandler for oplysning om nærmeste tilgængelige opsamlingssted for elektronikaffald.



ΔΙΑΔΙΚΑΣΙΑ ΑΠΟΡΡΙΨΗΣ

ΤΟ ΣΗΜΑ ΜΕ ΤΟΝ ΔΙΑΓΕΓΡΑΜΜΕΝΟ ΤΡΟΧΗΛΑΤΟ ΚΑΔΟ ΑΠΟΡΡΙΜΑΤΩΝ ΣΤΗΝ ΠΙΣΩ ΟΨΗ ΤΟΥ ΜΗΧΑΝΗΜΑΤΟΣ ΔΗΛΩΝΕΙ ΟΤΙ ΤΟ ΠΡΟΪΟΝ ΑΥΤΟ ΔΕΝ ΠΡΕΠΕΙ ΝΑ ΔΙΑΧΕΙΡΙΣΘΕΙ ΣΑΝ ΣΥΝΗΘΙΣΜΕΝΟ ΟΙΚΙΑΚΟ ΑΠΟΒΛΗΤΟ. ΠΡΟΣ ΑΠΟΦΥΓΗ ΕΝΔΕΧΟΜΕΝΗΣ ΕΠΙΒΑΡΥΝΣΗΣ ΤΟΥ ΠΕΡΙΒΑΛΛΟΝΤΟΣ, ΞΕΧΩΡΙΣΤΕ ΤΟ ΠΡΟΪΟΝ ΑΠΟ ΤΑ ΑΛΛΑ ΑΠΟΡΡΙΜΑΤΑ ΩΣΤΕ ΝΑ ΕΞΑΣΦΑΛΙΣΘΕΙ Η ΑΝΑΚΥΚΛΩΣΗ ΤΟΥ ΜΕ ΤΟΝ ΠΡΕΠΟΝΤΑ ΤΡΟΠΟ. ΠΑΡΑΚΑΛΟΥΜΕ ΝΑ ΕΠΙΚΟΙΝΩΝΗΣΕΤΕ ΜΕ ΤΗΝ ΤΟΠΙΚΗ ΥΠΗΡΕΣΙΑ ΑΝΑΚΥΚΛΩΣΗΣ Η ΜΕ ΤΟ ΚΑΤΑΣΤΗΜΑ ΑΓΟΡΑΣ ΓΙΑ ΠΕΡΙΣΣΟΤΕΡΕΣ ΛΕΠΤΟΜΕΡΕΙΕΣ.

